

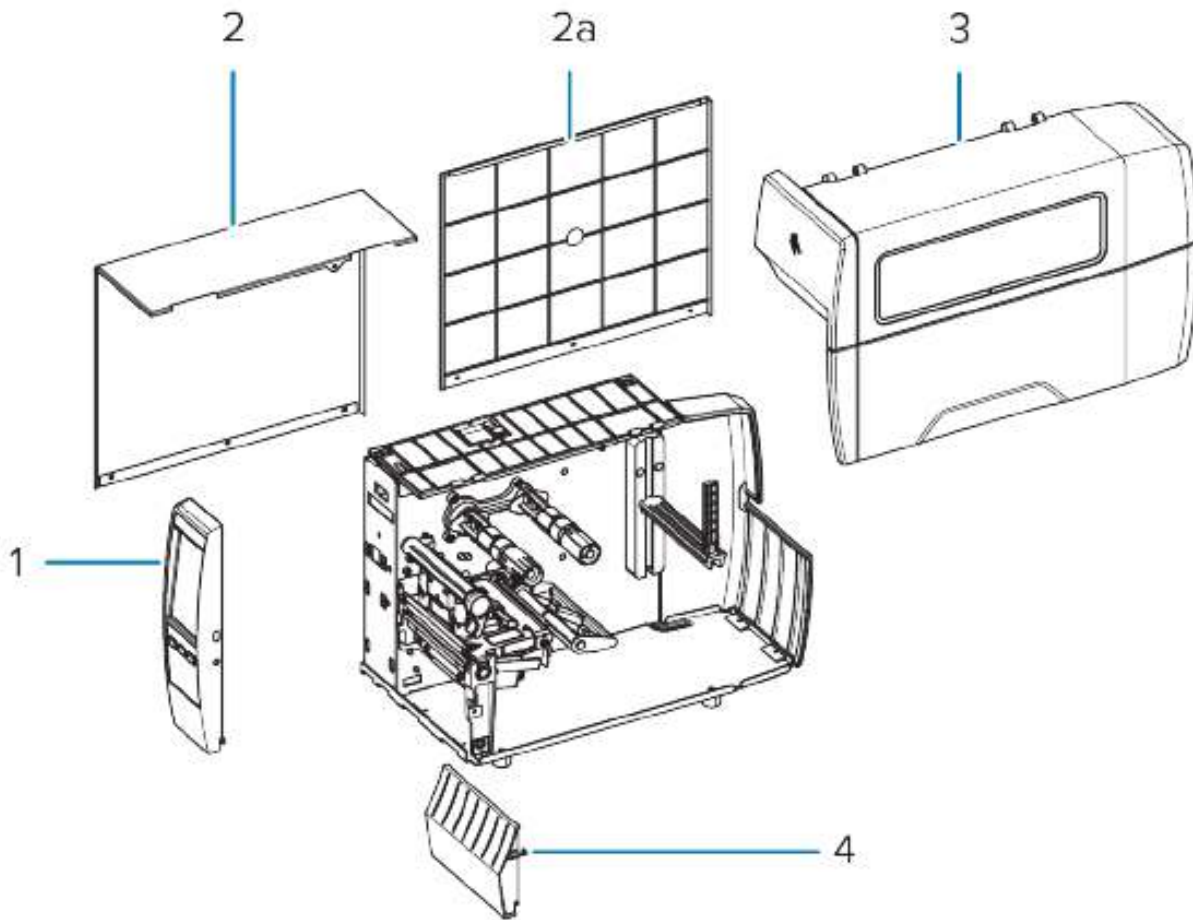


Impressora Zebra ZT231

A Impressora de Etiquetas Zebra ZT231 oferece a combinação de recursos certos pelo preço certo, juntamente com a qualidade duradoura que você espera da Zebra. Velocidades rápidas, qualidade de impressão de alta resolução e grande tela touchscreen colorida, tudo em um espaço compacto.

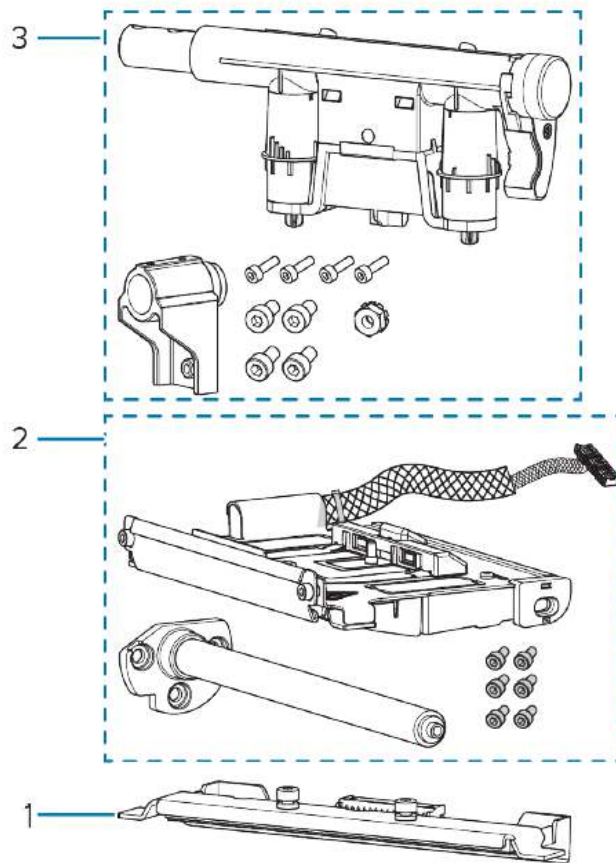


Outer Casing



Item Number	Description	Part Number	Quantity
1	Control Panel ZT111	P1123335-001	1
1	Control Panel ZT211CN China Models	P1123335-002	1
1	Control Panel ZT211TL	P1123335-003	1
1	Control Panel ZT211IN India Models	P1123335-004	1
1	Control Panel ZT231	P1123335-005	1
1	Control Panel ZT231CN China Models	P1123335-006	1
1	Control Panel ZT231IN India Models	P1123335-051	1
2	Electronics Cover ZT211, ZT231	P1037974-034	1
2a	Electronics Cover ZT111	P1037990-005	1
3	Media Cover ZT111	P1123335-007	1
3	Media Cover ZT211, ZT231	P1123335-008	1
	Structural Top Plate ZT211, ZT231	P1123335-009	1
4	Front Lower Panels ZT111, ZT211, ZT231 (includes tear and peel panels)	P1123335-010	1
	Media Window ZT111, ZT211, ZT231	P1123335-011	1

Print Mechanism

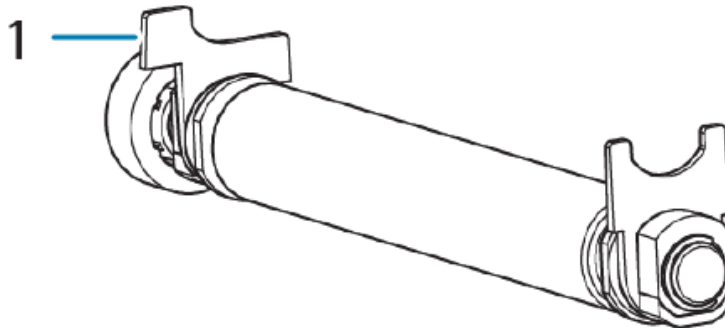


Item Number	Description	Part Number	Quantity
1	Printhead 203 dpi ZT111, ZT211, ZT231	P1123335-012	1
1	Printhead 300 dpi ZT111, ZT211, ZT231	P1123335-013	1
2	Thermal Transfer Print Mechanism ZT111, ZT211, ZT231 (includes ribbon sensor with cable, printhead cables and ground contact)	P1123335-014	1
2	Direct Thermal Print Mechanism ZT111, ZT211, ZT231 (includes printhead cables and ground contact)	P1123335-015	1
3	Toggle Bar ZT111, ZT211, ZT231	P1123335-016	1
	Ribbon Strip Plate and Ribbon Static Brush ZT111, ZT211, ZT231	P1037974-066	1
	Ground Contact ZT111, ZT211, ZT231	P1037974-015	1

Printhead dpi conversion

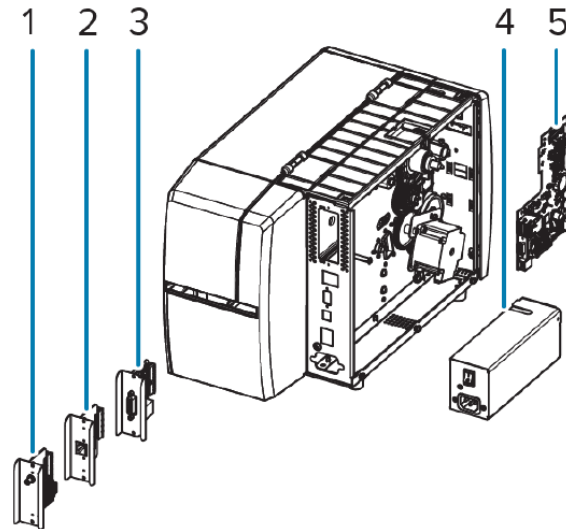
Item Number	Description	Part Number	Quantity
	Convert 203 dpi to 300 dpi ZT111, ZT211, ZT231	P1123335-017	1
	Convert 300 dpi to 203 dpi ZT111, ZT211, ZT231	P1123335-018	1

Platen Roller



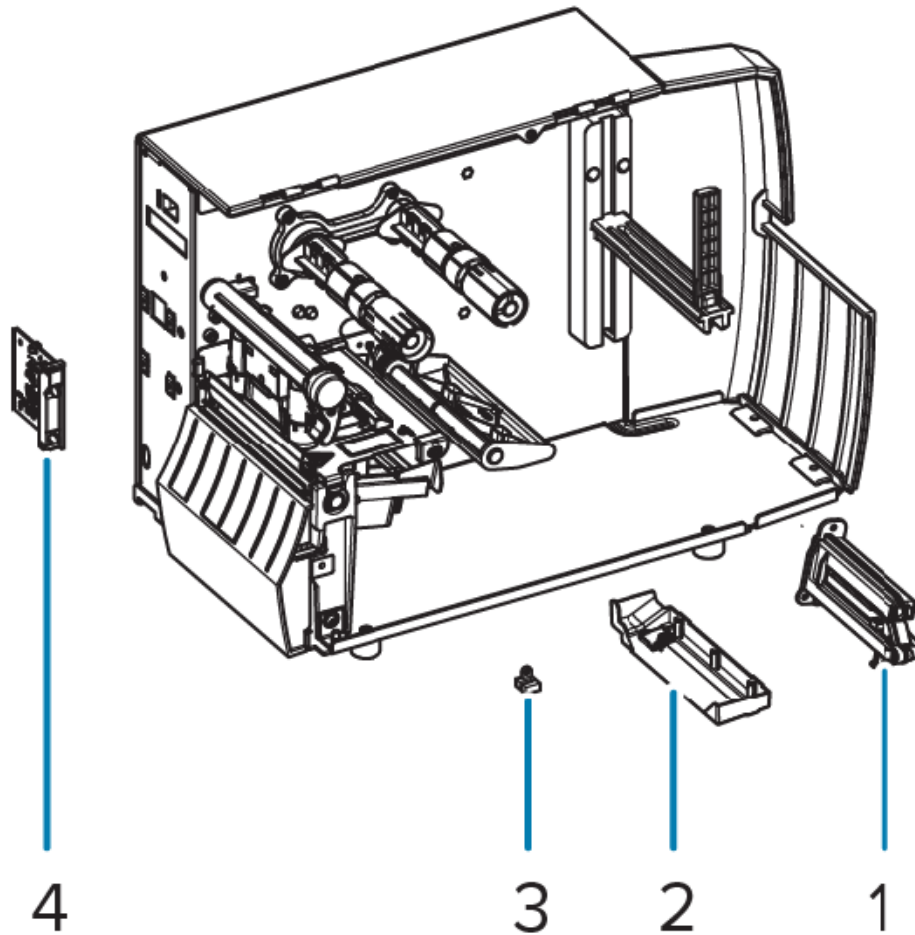
Item Number	Description	Part Number	Quantity
1	Platen Roller ZT111, ZT211, ZT231	P1037974-028	1
	Cover for Platen Roller Access	P1123335-019	1

Electronics



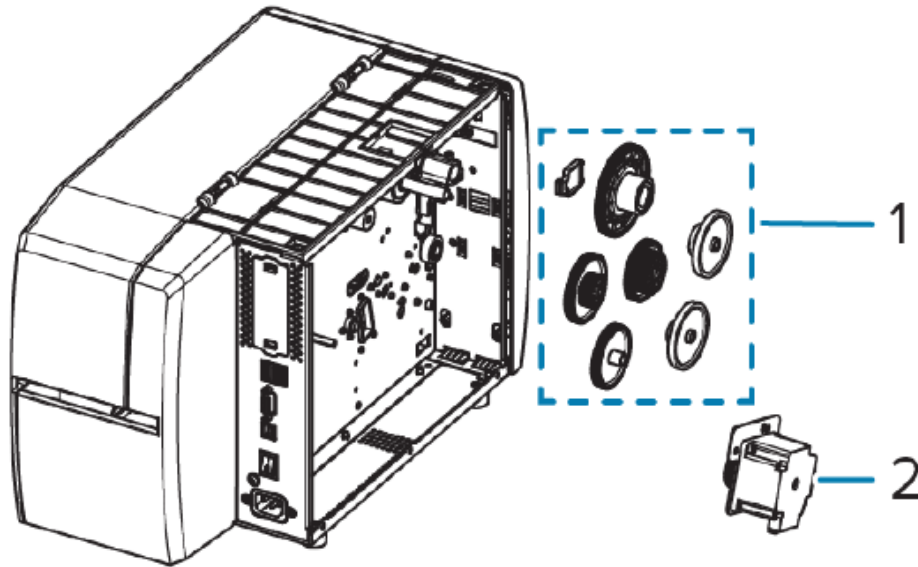
Item Number	Description	Part Number	Quantity
1	ZebraNet Internal Wireless 802.11ac WiFi, USA & Canada, ZT111, ZT211, ZT231	P1083320-037A	1
1	ZebraNet Internal Wireless 802.11ac WiFi, Japan, ZT111, ZT211, ZT31	P1083320-037B	1
1	ZebraNet Internal Wireless 802.11ac, For all countries except USA, Canada or Japan, ZT111, ZT211, ZT231	P1083320-037C	1
2	Ethernet Card ZT111, ZT211, ZT231	P1123335-035	1
3	Applicator Interface, ZT231 only	P1123335-025	1
4	Power Supply ZT231	P1123335-022	1
4	Power Supply ZT111, ZT211	P1123335-023	1
5	Main Logic Board, ZT231	P1123335-020	1
5	Main Logic Board, ZT111, ZT211	P1123335-021	1
	RFID Module, USA and Canada, ZT231 only	P1123335-026A	1
	RFID Module, Japan, ZT231 only	P1123335-026B	1
	RFID Module, All Countries Except USA, Canada & Japan, ZT231 only	P1123335-026C	1
	Replacement WiFi Antenna for 802.11ac Radio	P1037974-053	1
	Replacement RFID Hardware, ZT231 only	P1123335-027	1
	Electronics Cables (includes electronics used throughout printer), ZT111, ZT211, ZT231	P1123335-028	1
	Covers for Electronic Options ZT111, ZT211, ZT231	P1123335-029	1
	USA Power Cord	46693	1
	Europe Power Cord	46629	1
	UK Power Cord	46637	1
	Japan Power Cord	37609	1
	China Power Cord	47612	1

Sensors



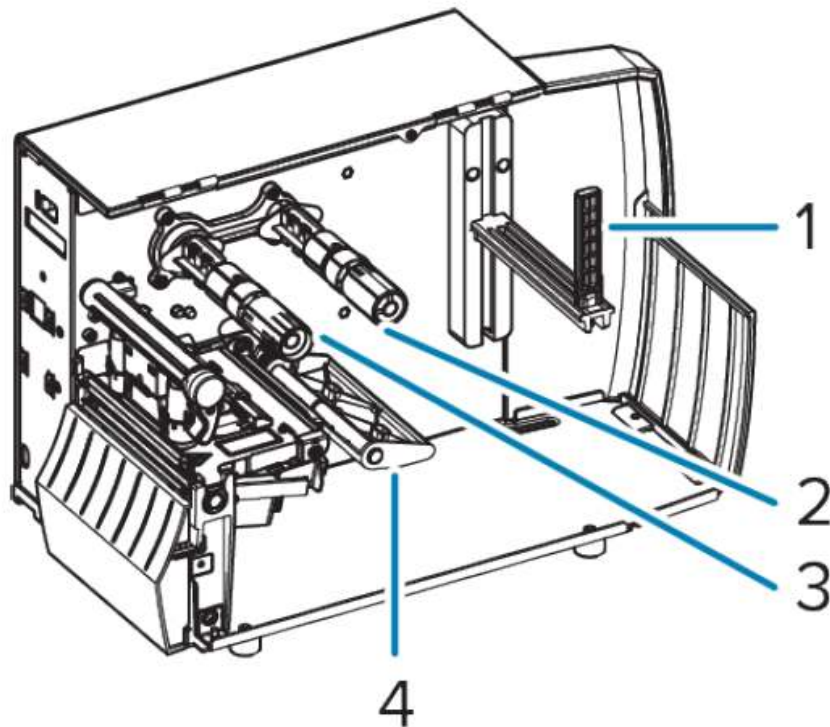
Item Number	Description	Part Number	Quantity
1	Media Sensor ZT111, ZT211, ZT231	P1123335-030	1
2	Ribbon Sensor ZT111, ZT211, ZT231	P1123335-031	1
3	Head Open Sensor ZT111, ZT211, ZT231	P1123335-032	1
4	Take Label Sensor ZT111, ZT211, ZT231	P1123335-033	1

Drive System



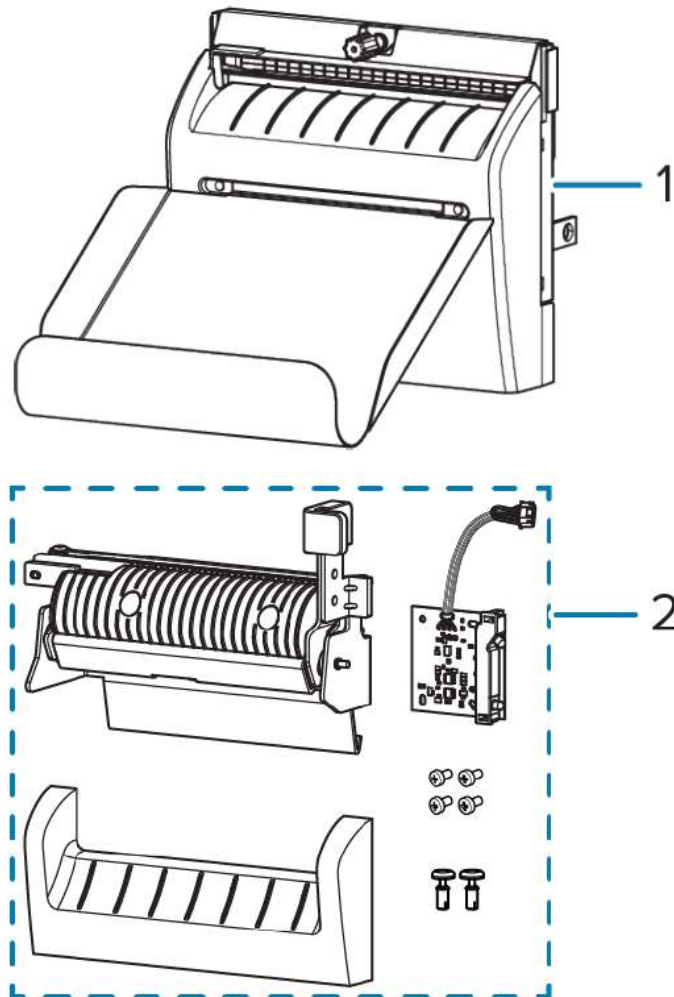
Item Number	Description	Part Number	Quantity
1	Drive Gears (includes gears for 203 dpi and 300 dpi) ZT111, ZT211, ZT231	P1037974-061	1
2	Drive Motor for 203 dpi and 300 dpi ZT111, ZT211, ZT231	P1123335-034	1

Media Path



Item Number	Description	Part Number	Quantity
1	Media Hanger ZT111, ZT211, ZT231	P1037974-027	1
2	Ribbon Supply Spindle ZT111, ZT211, ZT231	P1037974-050	1
3	Ribbon Take Up Spindle ZT111, ZT211, ZT231	P1037974-051	1
	Ribbon Supply Spindle for Ribbons Coated Inside ZT111, ZT211, ZT231	79830M	1
4	Media Dancer ZT111, ZT211, ZT231	P1123335-036	1
	Media Guide ZT111, ZT211, ZT231	P1123335-037	1
	Tear Bar ZT111, ZT211, ZT231	P1123335-038	1
	Cardboard Cores for Ribbon Spindles (Qty 2)	P1037974-012	2
	Entire Ribbon System ZT111, ZT211, ZT231. Includes the bearing support and both ribbon spindles. The drive gears connecting the spindles to the motor are NOT included in this kit.	P1123335-039	1
	Housing for Platen Roller ZT111, ZT211, ZT231	P1123335-040	1

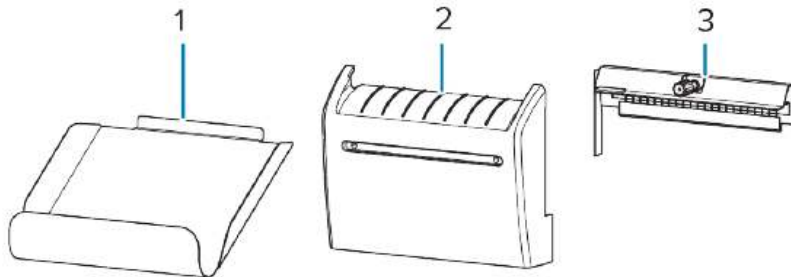
Media Handling Options



Item Number	Description	Part Number	Quantity
1	Cutter Option ZT111, ZT211, ZT231	P1123335-041	1
2	Peel Option ZT111, ZT211, ZT231	P1123335-042	1

Replacement Parts for Media Handling Options:

Replacement Cutter Parts

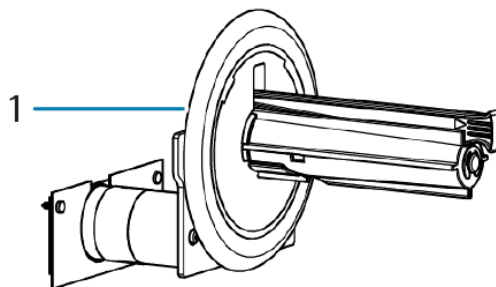


Item Number	Description	Part Number	Quantity
1	Catch Tray for Cutter ZT111, ZT211, ZT231	P1037974-037	1
2	Cutter Cover with PCBA ZT111, ZT211, ZT231	P1123335-043	1
3	Replacement Cutter Static Brush & Cutter Guard ZT111, ZT211, ZT231	P1037974-036	1

Replacement Peel Parts

Item Number	Description	Part Number	Quantity
	Peel Unit ZT111, ZT211, ZT231	P1123335-044	1
	Roller for Peel Unit ZT111, ZT211, ZT231	P1037974-039	1

Replacement Liner Take-Up (LTU) Parts



Item Number	Description	Part Number	Quantity
1	Replacement LTU PCB with Drive Motor and Spindle ZT231 only	P1037974-040	1
	Door for LTU (Liner Take Up) ZT231 only	P1123335-045	1

Hardware

Item Number	Description	Part Number	Quantity
	Assorted Hardware ZT111, ZT211, ZT231 (various screws, washers, etc.. used throughout the printer)	P1123335-048	1
	Feet on bottom of printer (Qty 20) ZT111, ZT211, ZT231	P1123335-049	20

Packaging Materials for Printer Shipping

Item Number	Description	Part Number	Quantity
	Packaging for Shipping the Printer, ZT111, ZT211, ZT1231	P1123335-046	1
	Packaging for Shipping Printers with Liner Take-Up Option Installed, ZT1231	P1123335-047	1